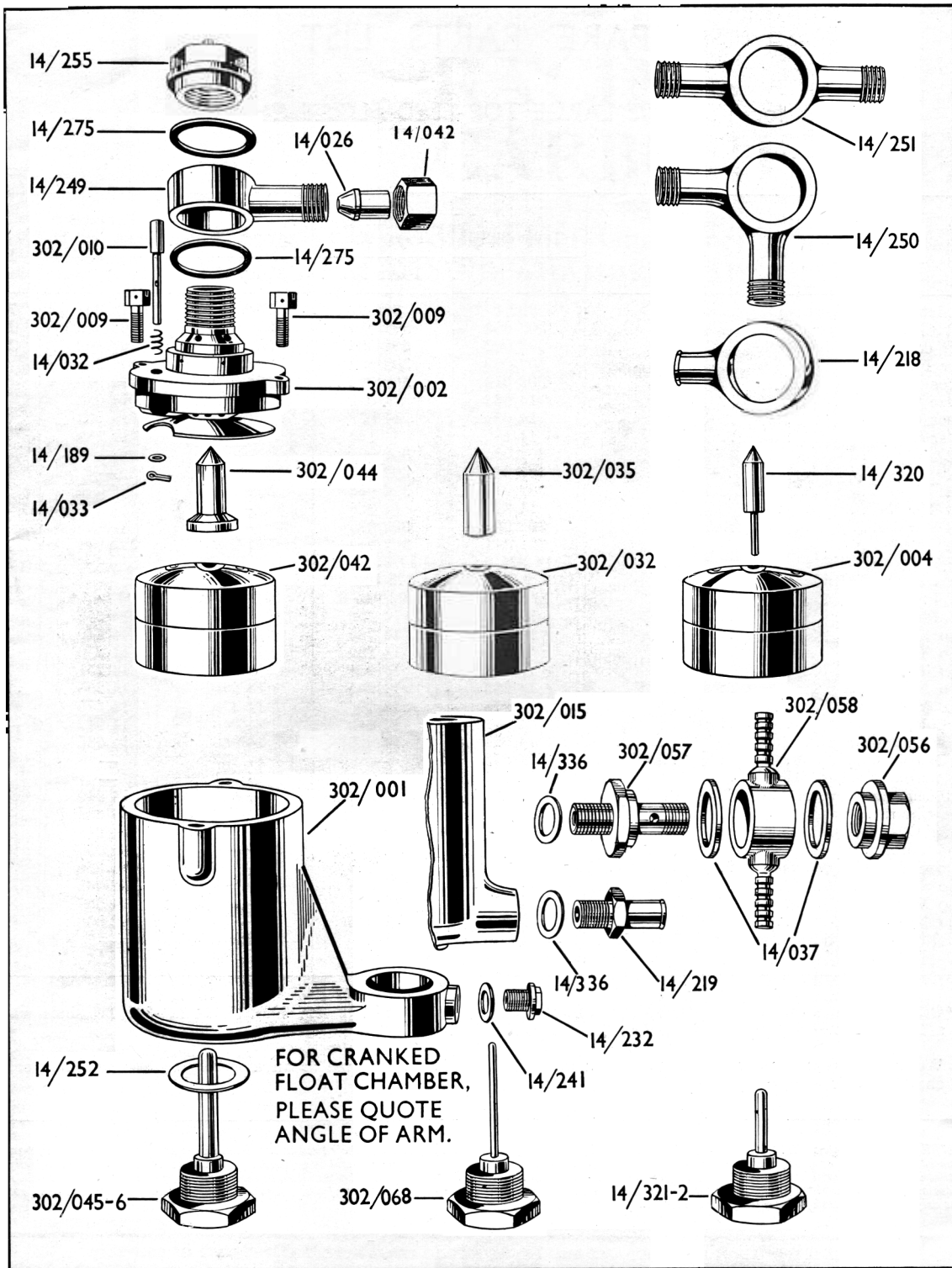


Type 302 T.T. Float Chamber



PRICES ETC., REFER TO PAGE FOUR.